



Operating Instructions

Ultrasonic proximity switch with one analogue output, one switched output and IO-Link

- lpc+15/CFU lpc+15/WK/CFU
- lpc+25/CFU lpc+25/WK/CFU
- lpc+35/CFU lpc+35/WK/CFU
- lpc+100/CFU lpc+100/WK/CFU

Product description
 The lpc+ sensor offers a non-contact measurement of the distance to an object which must be positioned within the sensor's detection zone. The switched output is set conditional upon the adjusted detect distance, as an alternative to the set window margins, a distance proportional analogue signal is output.

Via the Teach-in procedure, the detect distance and operating mode can be adjusted. Two LEDs indicate operation and status of the switching and analogue outputs.

The lpc+ sensors are IO-Link-capable in accordance with IO-Link specification V1.1 and support Smart Sensor Profile like Digital Measuring Sensor.

- Safety instructions**
- Read the operating instructions prior to start-up.
 - Connection, installation and adjustments may only be carried out by qualified staff.
 - No safety component in accordance with the EU Machine Directive.

Use for intended purpose only
 lpc+ ultrasonic sensors are used for non-contact detection of objects.

- Installation**
- Mount the sensor at the place of fitting.
 - Connect a connection cable to the M12 device plug, see fig. 1.

- Start-up**
- Connect the power supply.
 - Carry out sensor adjustment in accordance with the diagram »Sensor adjustment with the Teach-in procedure«.
- Set operation-specific parameters can be locked against changes with the teach-in procedure »Switch on or off Teach-in + Synchronization«.

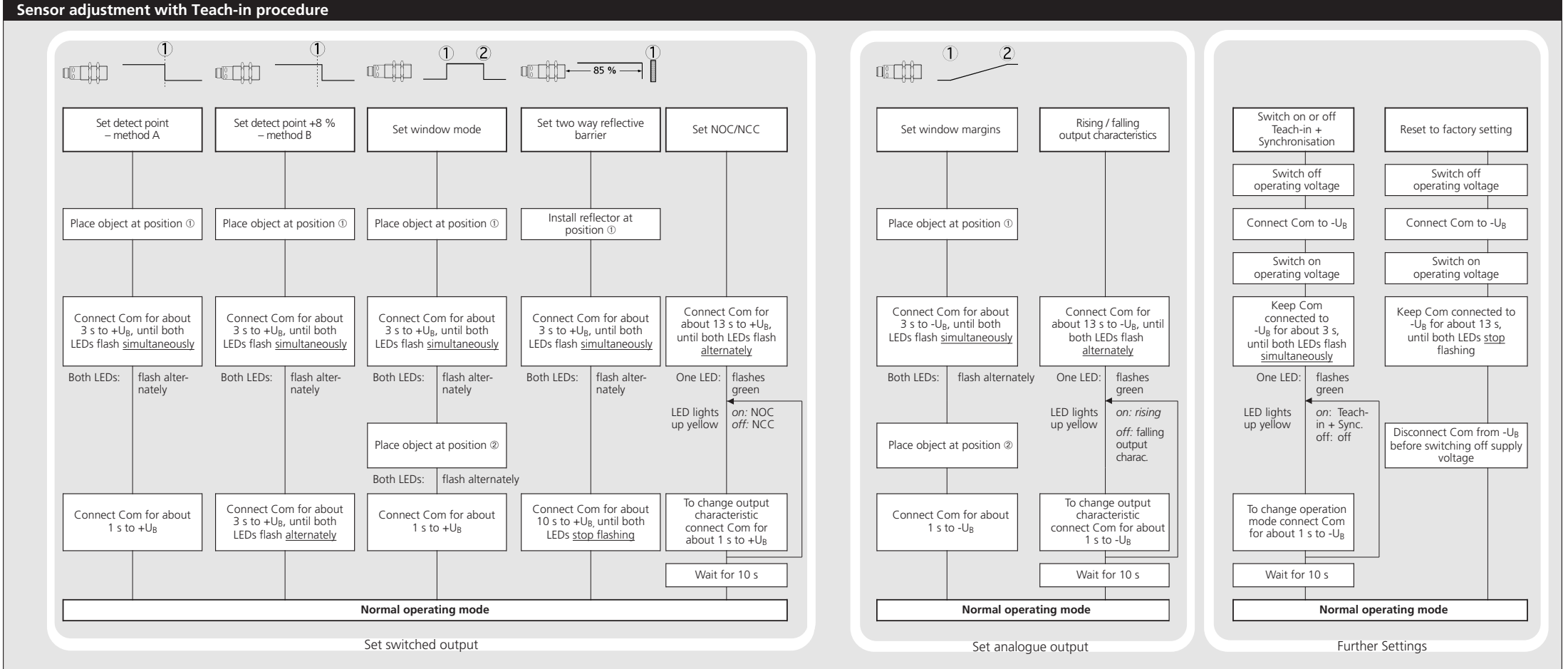
	1	+U _B	brown
	3	-U _B	blue
	4	F	black
	2	U	white
	5	Com	grey

Fig. 1: Pin assignment with view onto sensor plug and colour coding of the microsonic connection cables.

- Factory setting**
- Detect point operation
 - Switched output on NOC
 - Detect distance at operating range
 - Multifunction input »Com« set to

- »Teach-in«
- Filter at F01
 - Filter strength at P00

- Operating modes**
 Three operating modes are available:
- Operation with one detect point
 The switched output is set when the object falls below the set detect point.
 - Window mode
 The switched output is set when the object is within the set window.
 - Two-way reflective barrier
 The switched output is set when the object is between sensor and fixed reflector.



Synchronisation

If under multiple sensor operation the assembly distance falls below the values shown in fig. 2, the internal synchronisation should be used. For this purpose set the switched outputs of all sensors in accordance with the diagram »Sensor adjustment with the Teach-in procedure«.

Then switch-on the multi-function output »Com« (pin 5) to »Teach-in« and »synchronisation« (see »Further settings«). Finally interconnect each pin 5 of the sensors to be synchronised.

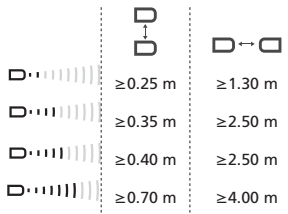


Fig. 2: Assembly distances

Maintenance

microsonic sensors are maintenance-free. In case of excess caked-on dirt we recommend cleaning the white sensor surface.

Notes

- The sensors of the lpc+ family have a blind zone, within which a distance measurement is not possible.
- The lpc+ sensors are equipped with an internal temperature compensation. Due to the sensors self heating, the temperature compensation reaches its optimum working-point after approx. 120 seconds of operation.
- In the normal operating mode, an illuminated yellow LED signals that the switched output is switched through.
- The lpc+ sensors have a push-pull switching output.

- In the »Two-way reflective barrier« operating mode, the object has to be within the range of 0-85 % of the set distance.
- In the »Set detect point – method A« Teach-in procedure the actual distance to the object is taught to the sensor as the detect point. If the object moves towards the sensor (e.g. with level control) then the taught distance is the level at which the sensor has to switch the output, see fig. 3.
- If the object to be scanned moves into the detection area from the side, the »Set detect point +8 % – method B« Teach-in procedure should be used. In this way the switching distance is set 8 % further than the actual measured distance to the object. This ensures a reliable switching distance even if the height of the objects varies slightly, see fig. 3.

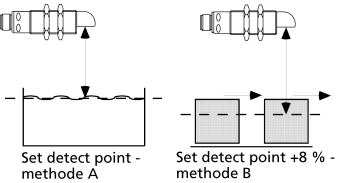
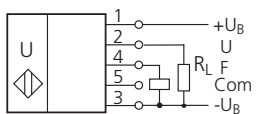


Fig. 3: Setting the detect point for different directions of movement of the object

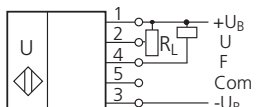
- The sensor can be reset to its factory setting (see »Further settings«).
- Using the LinkControl adapter LCA-2 (optional accessory) and the LinkControl software for Windows, all Teach-in and additional sensor parameter settings can be optionally undertaken.
- The latest IODD file and informtations about start-up and configuration of lpc+ sensors with IO-Link, you will find online at: <https://www.microsonic.de/lpc+>



Technical data



Push-Pull output in pnp circuit



Push-Pull output in npn circuit

blind zone

operating range

maximum range

angle of beam spread

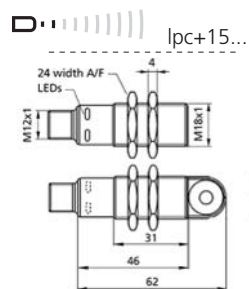
transducer frequency

resolution

reproducibility

detection zones

for different objects:
The dark grey areas represent the zone where it is easy to recognise the normal reflector (round bar). This indicates the typical operating range of the sensors. The light grey areas represent the zone where a very large reflector – for instance a plate – can still be recognized. The requirement here is for an optimum alignment to the sensor. It is not possible to evaluate ultrasonic reflections outside this area.



20 mm

150 mm

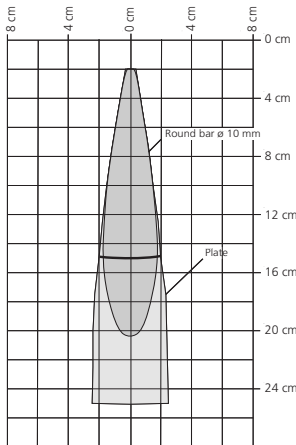
250 mm

see detection zone

380 kHz

0,1 mm

± 0.15 %



accuracy

operating voltage UB

voltage ripple

no-load current consumption

housing

max. tightening torque of nuts

class of protection per EN 60 529

type of connection

controls

indicators

programmable

synchronisation

operating temperature

storage temperature

switched output

switching hysteresis

switching frequency

response time

time delay before availability

analogue output 0-10 V

operating voltage UB

norm conformity

order no. directly radiating

weight

order no. angular head

weight

±1 % (temperature drift internally compensated)

10 - 30 V DC, reverse polarity protection (Class 2)

±10 %

< 60 mA

brass sleeve, nickel-plated, plastic parts: PBT; ultrasonic transducer: polyurethane foam, epoxy resin with glass content

15 Nm

IP 67

5-pin M12 circular plug

Teach-in via pin 5 (Com)

LED green (operation)

LED yellow (state of output)

Teach-in, LinkControl

internal synchronisation up to 10 sensors

-25°C to +70°C

-40°C to +85°C

Push-Pull, UB-3 V, -UB+3 V, I_{max} = 100 mA

switchable NOC/NCC, short-circuit-proof

2 mm

25 Hz

32 ms

< 300 ms

R_L ≥ 100 kΩ, rising/falling characteristic, short-circuit-proof

R_L ≥ 100 kΩ at UB ≥ 15 V, short-circuit-proof

terminal reverse polarity protected, Class 2

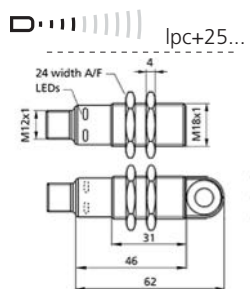
EN 60947-5-2

lpc+15/CFU

35 g

lpc+15/WK/CFU

40 g



30 mm

250 mm

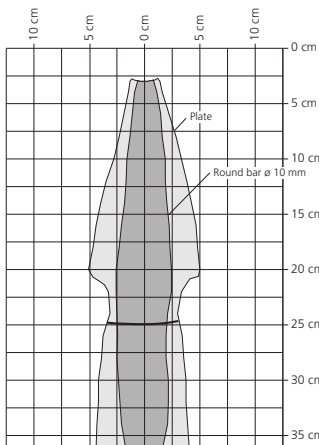
350 mm

see detection zone

320 kHz

0,1 mm

± 0.15 %



±1 % (temperature drift internally compensated)

10 - 30 V DC, reverse polarity protection (Class 2)

±10 %

< 60 mA

brass sleeve, nickel-plated, plastic parts: PBT; ultrasonic transducer: polyurethane foam, epoxy resin with glass content

15 Nm

IP 67

5-pin M12 circular plug

Teach-in via pin 5 (Com)

LED green (operation)

LED yellow (state of output)

Teach-in, LinkControl

internal synchronisation up to 10 sensors

-25°C to +70°C

-40°C to +85°C

Push-Pull, UB-3 V, -UB+3 V, I_{max} = 100 mA

switchable NOC/NCC, short-circuit-proof

3 mm

25 Hz

32 ms

< 300 ms

R_L ≥ 100 kΩ, short rising/falling characteristic, short-circuit-proof

R_L ≥ 100 kΩ at UB ≥ 15 V, short-circuit-proof

terminal reverse polarity protected, Class 2

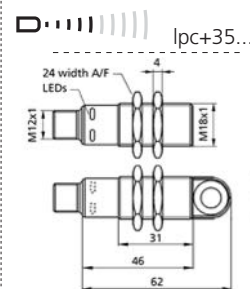
EN 60947-5-2

lpc+25/CFU

35 g

lpc+25/WK/CFU

40 g



65 mm

350 mm

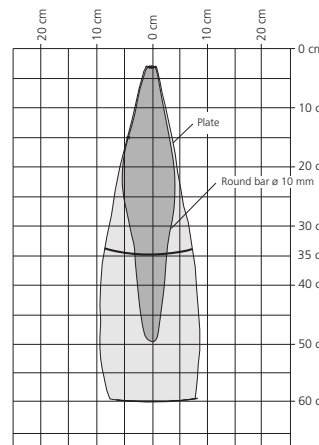
600 mm

see detection zone

400 kHz

0,1 mm

± 0.15 %



±1 % (temperature drift internally compensated)

10 - 30 V DC, reverse polarity protection (Class 2)

±10 %

< 60 mA

brass sleeve, nickel-plated, plastic parts: PBT; ultrasonic transducer: polyurethane foam, epoxy resin with glass content

15 Nm

IP 67

5-pin M12 circular plug

Teach-in via pin 5 (Com)

LED green (operation)

LED yellow (state of output)

Teach-in, LinkControl

internal synchronisation up to 10 sensors

-25°C to +70°C

-40°C to +85°C

Push-Pull, UB-3 V, -UB+3 V, I_{max} = 100 mA

switchable NOC/NCC, short-circuit-proof

5 mm

12 Hz

64 ms

< 300 ms

R_L ≥ 100 kΩ, rising/falling characteristic, short-circuit-proof

R_L ≥ 100 kΩ at UB ≥ 15 V, short-circuit-proof

terminal reverse polarity protected, Class 2

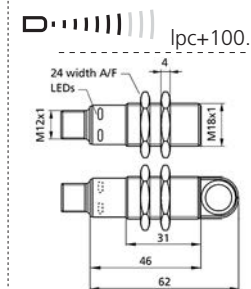
EN 60947-5-2

lpc+35/CFU

35 g

lpc+35/WK/CFU

40 g



120 mm

1,000 mm

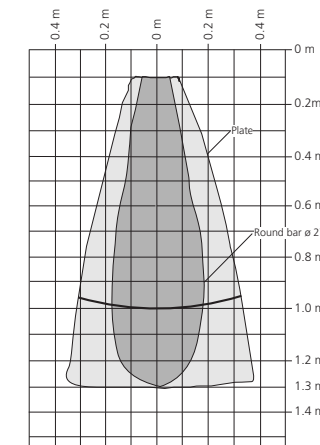
1,300 mm

see detection zone

200 kHz

0,1 mm

± 0.15 %



±1 % (temperature drift internally compensated)

10 - 30 V DC, reverse polarity protection (Class 2)

±10 %

< 60 mA

brass sleeve, nickel-plated, plastic parts: PBT; ultrasonic transducer: polyurethane foam, epoxy resin with glass content

15 Nm

IP 67

5-pin M12 circular plug

Teach-in via pin 5 (Com)

LED green (operation)

LED yellow (state of output)

Teach-in, LinkControl

internal synchronisation up to 10 sensors

-25°C to +70°C

-40°C to +85°C

Push-Pull, UB-3 V, -UB+3 V, I_{max} = 100 mA

switchable NOC/NCC, short-circuit-proof

20 mm

10 Hz

80 ms

< 300 ms

R_L ≥ 100 kΩ, rising/falling characteristic, short-circuit-proof

R_L ≥ 100 kΩ at UB ≥ 15 V, short-circuit-proof

terminal reverse polarity protected, Class 2

EN 60947-5-2

lpc+100/CFU

35 g

lpc+100/WK/CFU

40 g

1) Can be programmed with LinkControl